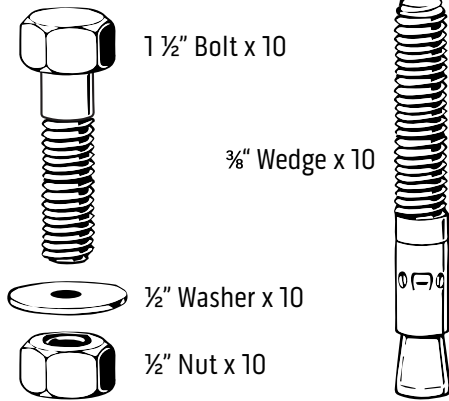


Hardware Included



Tools Needed

Hammer
 Utility Knife
 3/4" Socket & Ratchet
 3/4" Wrench
 1/2" Masonry Bit
 Hammer Drill

- 1 - Lay the included carpet in the desired shelter location.
- 2 - Start with any **B** corner by placing it on top of the corner edge of the carpet.
- 3 - Attach adjacent **A** panel to **B** corner using the 1 1/2" bolts with a washer on both the bolt and nut sides. Do not tighten, yet.
- 4 - Proceed with remaining panels until finished as shown in diagram. Add or subtract 2' A panels to create size of building purchased. If you have A/V (audio/video) panels, they can be substituted in any of the A panel locations.
- 5 - Install the roof **J** panels. The roof's square holes will have cage nuts on the outside. Use 1 1/2" bolt and washer from the inside. Do not tighten.
- 6 - Straighten and square walls. Using 3/4" socket and wrench, tighten bolts as you square up.
- 7 - Using your utility knife, cut an X in the carpet at the anchor hole locations.
- 8 - Using a 3/8" masonry bit, drill 4" deep holes at the anchor hole locations. Tap in wedge anchors in holes. Put washer and nut on anchor and tighten to manufacturer-recommended 25 lbs. torque.

